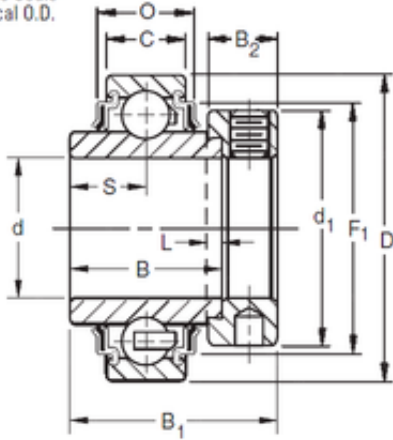




BEARING CORP.OF CANADA LTD.

KRR Two Seals
Cylindrical O.D.



15,875 mm x 40 mm x 27,78 mm TIMKEN 1010KRR Insert Bearings Cylindrical OD

Bearing No. 1010KRR

Size	15.875x40x27.78 mm
Bore Diameter	15,875 mm
Outer Diameter	40 mm
Width	27,78 mm
d	15,875 mm
D	40 mm
B	27,78 mm
C	12 mm
P	14,27 mm
O	16,56 mm
d1	28,6 mm
B1	37,3 mm
B2	13,5 mm
L	4 mm
S	13,9 mm
F1	34,01 mm
Weight	0,145 Kg
Basic dynamic load rating (C)	10,7 kN

1010KRR Bearing 2D drawings and 3D CAD models